

# RAIL CIRCLE TRACK

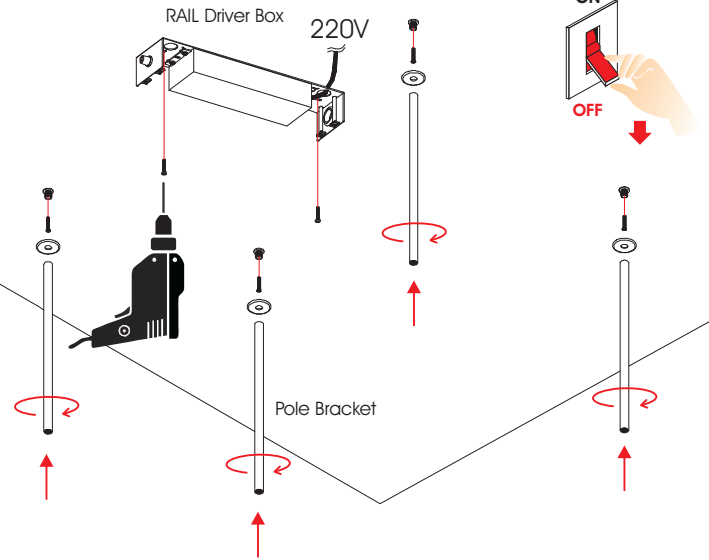
## Installation Manual



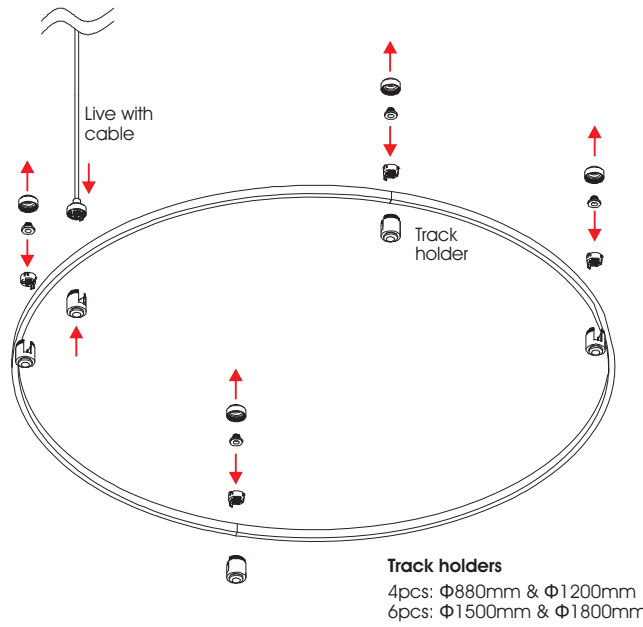
### Attention

Switch off the main power.

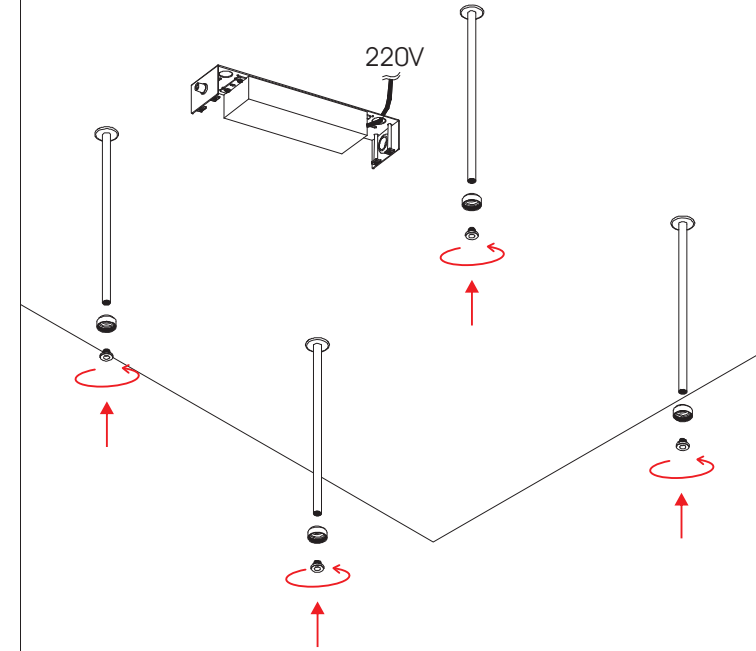
1



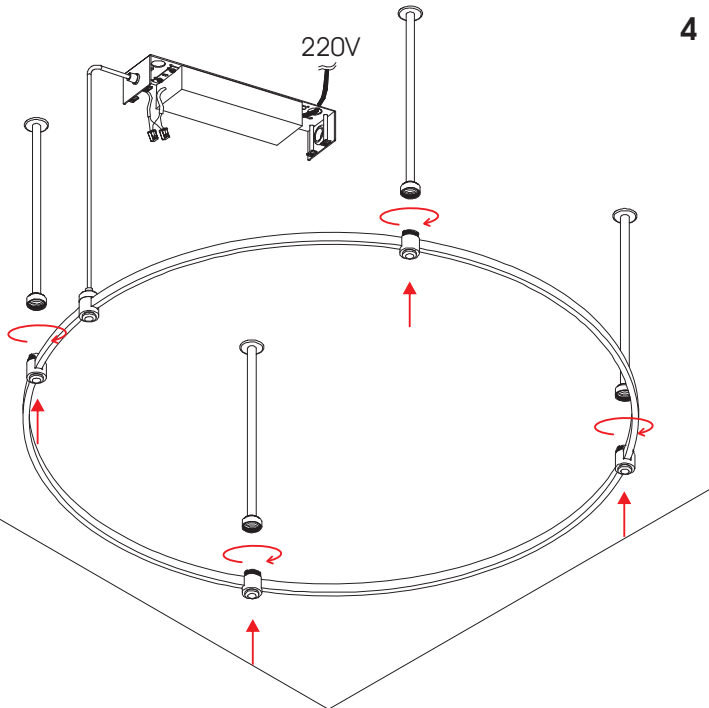
2



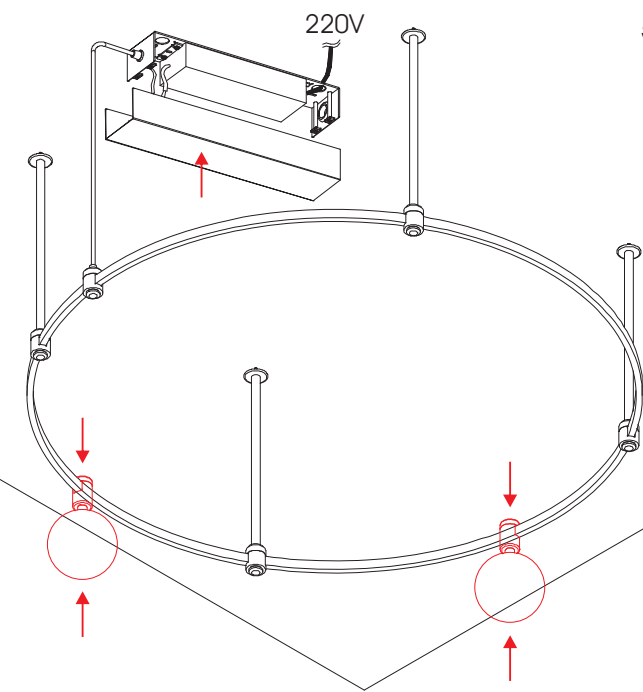
3



4



5



6

